

HIGH QUALITY COMPOSITE ENCLOSURES FOR
TELECOMMUNICATION, ELECTRICAL, CATV,
WATER, TRAFFIC, LIGHTING, COMMERCIAL
AND INDUSTRIAL APPLICATIONS



Non-Skid Covers

Covers offer the best slip resistance in the market.



EMS Locators

Provides an easy and accurate method of locating underground enclosures.

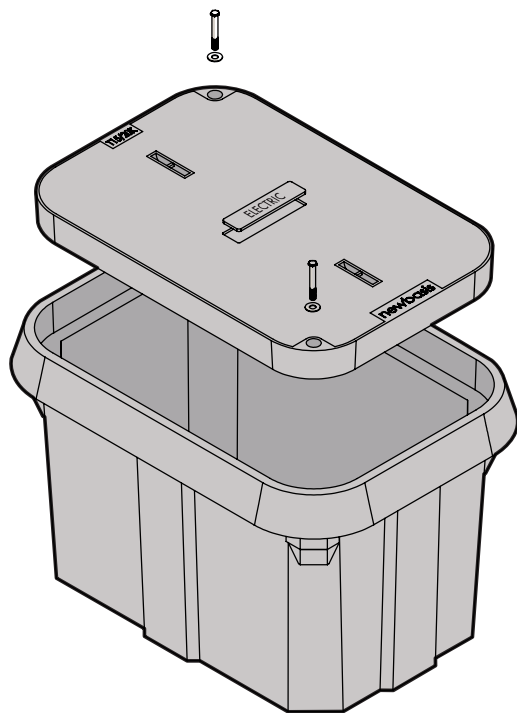


Theft Deterrence

Advanced locking system helps deter copper theft or fiber vandalism.



POLYMER CONCRETE (PCA)



| Available Polymer Concrete Assemblies (PCA) | | | |
|---|--------------------------------|--------------------------|------------------|
| Width X Length | Available Depth and Body Style | ANSI/SCTE 77 Tier Rating | |
| | | T15 ² | T22 ³ |
| 11" x 18" | 12", 18" Straight | ✓ | ✓ |
| 12" x 12" | 12", 24" Straight | ✓ | ✓ |
| 13" x 24" | 12", 18", 24" Straight | ✓ | ✓ |
| 17" x 30" | 12", 18", 24", 30" Straight | ✓ | ✓ |
| 17" x 30" | 26" Tapered | ✓ | ✓ |
| 24" x 24" | 24" Straight | ✓ | ✓ |
| 24" x 36" | 18", 24", 30", 36" Straight | ✓ | ✓ |
| 30" x 48" | 18", 24", 36", 48" Straight | ✓ | ✓ |
| 36" x 36" | 36" Straight | ✓ | ✓ |
| 36" x 60" | 36" Straight | ✓ | ✓ |
| 48" x 48" | 36", 48" Straight | ✓ | ✓ |
| 48" x 60" | 48" Straight | ✓ | ✓ |
| 48" x 96" | 48" Straight | ✓ | ✓ |

MATERIAL ADVANTAGES

- Base, rings and covers are made from advanced polymer concrete composite.
- Sides and rings are wrapped in woven fiberglass for increased durability.
- Available in T15 & T22 configurations.
- Stronger, lighter and more durable than precast concrete.
- Meets industry standard specifications.
- Nonconductive to electricity.

| Available Polymer Concrete Pads (PP) | | |
|--------------------------------------|-----------|-----------|
| 30" X 48" | 48" X 54" | 54" X 76" |
| 36" X 40" | 48" X 58" | 62" X 56" |
| 36" X 42" | 50" X 80" | 74" X 62" |

Polymer concrete pads are custom designed to meet the specifications of cabinet, pedestal and transformer manufacturers.

NewBasis works with customers and approving agencies to obtain necessary approvals.

Contact NewBasis customer service for all pad sizes offered and your custom quote.

NewBasis also offers custom box pad solutions.

Note:

1. Sizes and availability may vary.
2. Tier rating as per ANSI / SCTE 77 specification.
3. Enclosure accessories can be found at newbasis.com.

¹T8(12K) loading equals 8,000 lb. design / 12,000 lb. test
²T15(20K) loading equals 15,000 lb. design / 22,500 lb. test
³T22(32K) loading equals 22,500 lb. design / 33,750 lb. test



Engineering Specifications

Extensive on-site quality programs allow NewBasis to comply with virtually any standard.

Testing and Certifications

UL classified polymer concrete (BTAT.R26461) boxes and pads. ANSI/SCTE 77, ASTM C 857, WUC 3.6 certified

Hardware

Hex bolts, Penta bolts and an advanced lock-out bolt kit solutions on select models.

Drop-In or Cast-In Nameplates

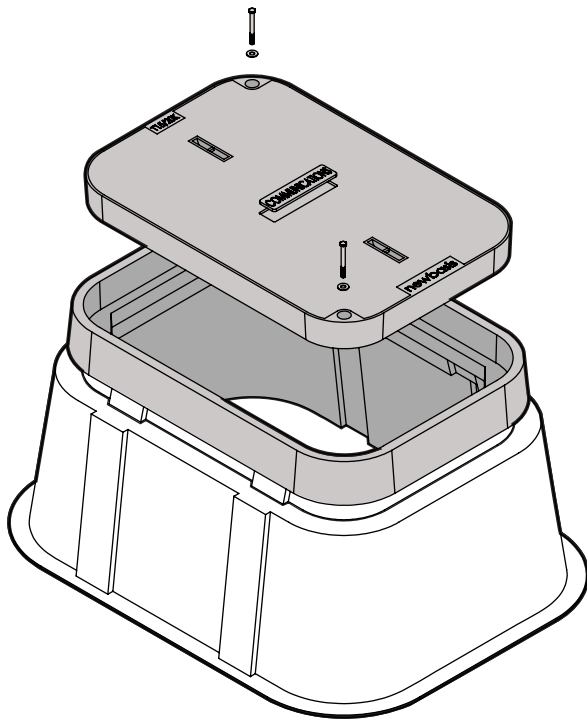
Standard or custom nameplates provide better inventory control.

Pre-Assembled Enclosures

Stock less pieces for better inventory management.



FIBERGLASS (FCA)



MATERIAL ADVANTAGES

- Product includes fiberglass base with a Polymer Concrete ring and cover.
- Available body styles include straight, round and tapered.
- Higher strength to weight ratio than polymer concrete.
- Ability to make field modifications with minimal equipment.
- Tapered wall option that allows for approximately 25% more internal room than straight walled equal.
- Nonconductive to electricity.

| Available Fiber Reinforced Polymer Body with Polymer Concrete Cover & Ring Assemblies (FCA) | | | |
|---|--------------------------------------|--------------------------|------------------|
| Width X Length | Available Depth and Body Style | ANSI/SCTE 77 Tier Rating | |
| | | T8 ¹ | T15 ² |
| 10" x 15" | 12" Tapered | ✓ | ✓ |
| 12" x 12" | 12" Tapered | | ✓ |
| 13" x 24" | 12", 18", 26" Tapered | | ✓ |
| 17" x 30" | 18", 24", 26" 30" 34" Tapered | | ✓ |
| 24" x 36" | 18", 24", 30", 36", 42", 48" Tapered | | ✓ |
| 24" x 36" | 24", 36" Straight | | ✓ |
| 30" x 48" | 18", 24", 36" Tapered | | ✓ |
| 30" x 48" | 30", 36" Straight | | ✓ |
| 30" x 60" | 30", 36", 48" Straight | | ✓ |
| 36" x 36" | 36" Straight | | ✓ |
| 36" x 60" | 24", 36" Straight | | ✓ |
| 36" x 60" | 36" Tapered | | ✓ |
| 48" x 48" | 48" Straight | | ✓ |
| 48" x 72" | 48" Tapered | | ✓ |
| 48" x 96" | 48" Straight | | ✓ |
| Round Vaults | | | |
| 22" x 00" | 30" Round | ✓ | |
| 27" x 00" | 36" Round | | ✓ |
| 32" x 00" | 36" Round | | ✓ |
| 41" x 00" | 60" Round | | ✓ |
| 54" x 00" | 36" Round | | ✓ |



Custom Solutions

NewBasis offers a comprehensive selection of molds to meet your needs.



Accessories

Wide selection of components that make installation of your job a snap. Visit newbasis.com for complete list.



Customer Service

Best in class representatives that are dedicated to servicing the customer.

Online Resources

NewBasis boasts a comprehensive website that includes:

- Real time product configurator
- Downloadable product specification cut sheets
- Secure customer log-in portal
- Ability to price and track orders
- View order history



About Us

Headquartered in Riverside, CA, NewBasis has been manufacturing underground enclosure solutions for over 30 years. NewBasis utilizes state-of-the-art engineering services, providing quality production. In addition, NewBasis has a dedicated customer care staff to ensure best-in-class service.



newbasis

Composites for Infrastructure

NewBasis

2626 Kansas Ave
Riverside, CA 92507
951.787.0600

newbasis.com

Send quotes to:
quotes@newbasis.com

Send questions to:
info@newbasis.com

Send orders to:
orders@newbasis.com

